

## LED-SID-3014-XX



5pcs/reel



### Features:

1. 3014 side view LED
2. CRI80
3. Can be cut to meet requirements of different length Epistar chip
4. Cuttable, bendable for side application
5. 12V/24V DC

### Features:

1. Side view lighting
2. Stage lighting
3. Festival, activities, exhibition lighting, etc
4. Backlight of signage
5. Contour lighting
6. Landscape decoration lighting

## Technical parameters:

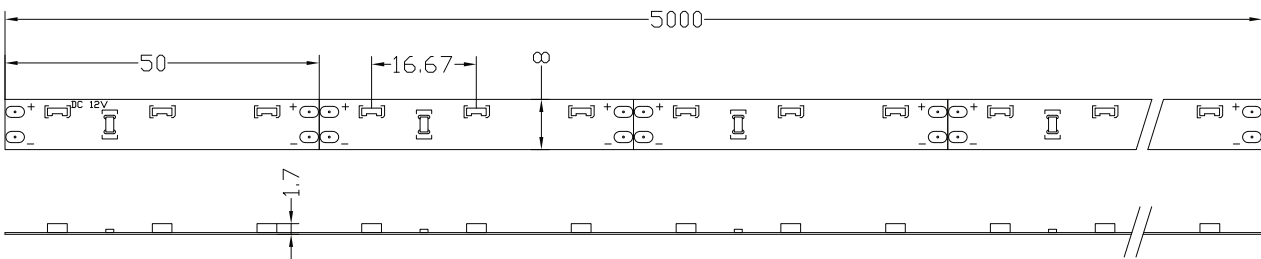
Model	Color	Lumen	LED Type	LED Qty. (leds /m)	Beam angle (degree)	DC Voltage (V)	Rated Watt (w/m)	IP	CRI
LED -SID-3014-X	W	720	3014	60	120	12/24	4.8	20/65	80
	WW	600							
	NW	660							

LED-SID-3014-X	SC-SIDS-3014-X	IP65	Silicon sleeved	
----------------	----------------	------	-----------------	---

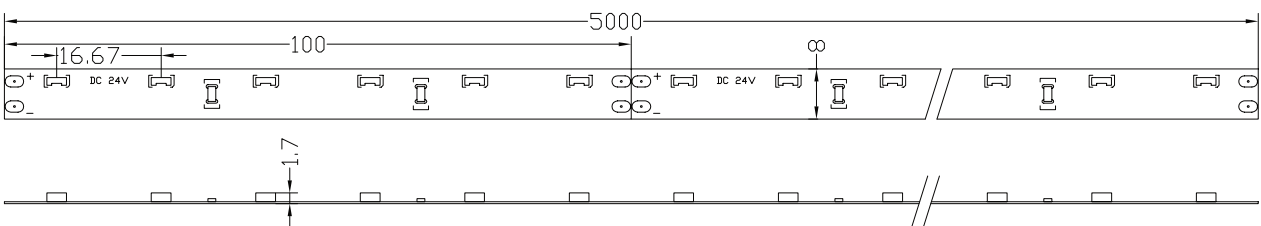
## Dimension:

Unit:(mm)

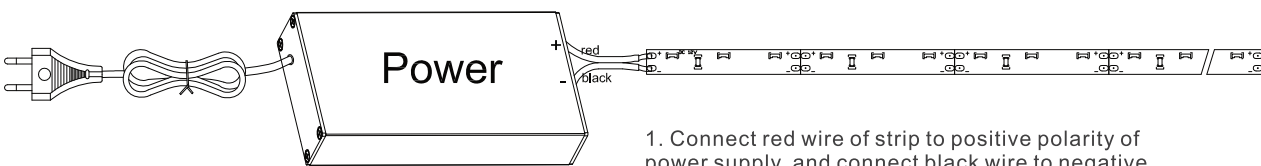
LED -3014-60LED-12V



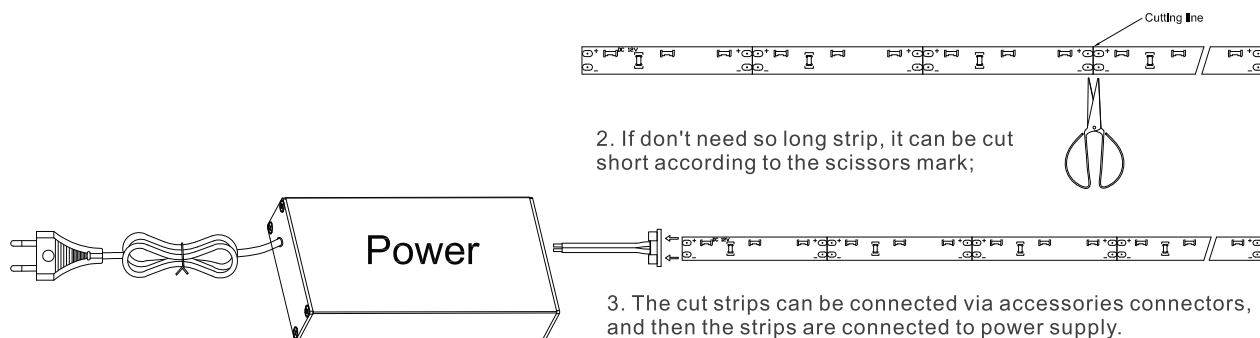
LED -3014-60LED-24V-C



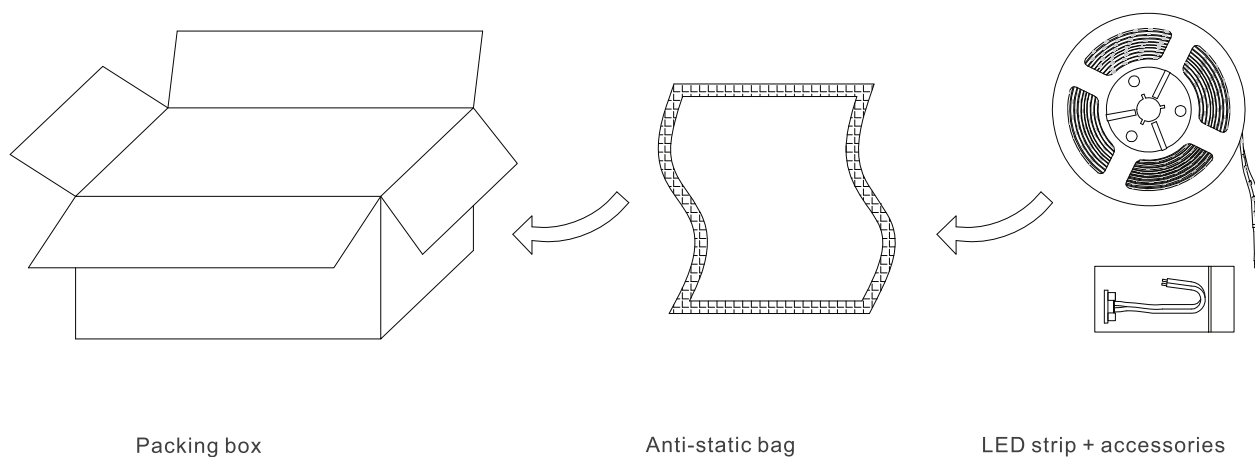
## Connection diagram:



1. Connect red wire of strip to positive polarity of power supply, and connect black wire to negative polarity;



## Packing instruction:



## Notice

1. The LED strip and accessories can't be squeezed or folded;
2. PCB conductive parts can't be damaged when installation;
3. Installation must conform to electrical safety standard. The LED strip can only be installed by professionals;
4. Ensure power supply transform operating load with transformer;
5. When install on metal or conductor surface, insulation protection need to be provided to the contact area;
6. Observe positive and negative polarity, ensure correct connection to avoid damaging LED strip;
7. When installation, please prevent static electricity;
8. The product need anti-corrosion environment, such as, avoiding damp, water drop or other adverse elements.